

DUTC Mode Control Module

User Manual
(Release Software 1.19, Firmware 1.23)



WILDER
TECHNOLOGIES

It's all about integrity

Table of Contents

Introduction.....	3
Product Inspection	5
The DUTC Mode Control Module Care and Handling Precautions	6
General DUTC, TPA, Cable, and Connector Care and Handling.....	8
Handling and Storage	8
Visual Inspection.....	8
Cleaning	8
Making Connections	8
Electrostatic Discharge Information	9
Mechanical and Environmental Specifications.....	10
User Models	13
DUTC User Interface Software	15
Introduction.....	15
DUTC LED Status Indicators	15
DUTC Supported USB Type-C Functions.....	16
DUTC Software File List	17
Installation	17
DUTC UI PC Program Operation	18
DUTC UI / API Connection to DUTC Hardware	18
DUTC TI Type-C Configuration ROM Select	19
Set USB Type-C Port Configuration (Lane Flip).....	19
Select DUT Type for Configuration Flip	20
DisplayPort Handshake Messages.....	20
DUTC Application Program Interface (API).....	21
DUTC API Result Code Enumeration	22
DUTC API Function Calls	23
Wilder Technologies, LLC – Limited Warranty	28
Wilder Technologies, LLC – Terms & Conditions of Sale	29
Compliance with Environmental Legislation	30
WEEE Compliance Statement.....	30
Compliance to RoHS 2 Substance Restrictions.....	30
Glossary of Terms	31

Introduction

This user’s manual documents the DisplayPort, USB, and Thunderbolt Type-C (hereafter, DUTC) Mode Control Module. When used in conjunction with Wilder Technologies Type-C Test Adapters (TYPE-C-TPA-P and TYPE-C-TPA-R), the user can select either DisplayPort Type-C (Alt Mode), USB Type-C (Native Mode), or Thunderbolt Type-C (Alt Mode) operational modes via Control Software.

The DUTC Mode Control Module, shown in Figures 1 and 2, when used with the DUTC Control Software allows the user to remotely (via PC) control the Type-C operational mode, eliminating the need to manually set switches or adjust jumper positions, sometimes seen on other test adapters or control modules. Testing DisplayPort USB, and Thunderbolt Type-C interface cables, hosts and devices against the DisplayPort, USB, and Thunderbolt Type-C Standards and Compliance Specifications is facilitated with the use of the DUTC and Control Software.

NOTE: To avoid damaging the DUTC Mode Control Module, test adapters or accessory cables, use the handling techniques described in the Care and Handling section before making any connections or configuring a test setup.

Always use a static-safe workstation when performing tests, as explained in the “Electrostatic Discharge Information” section.

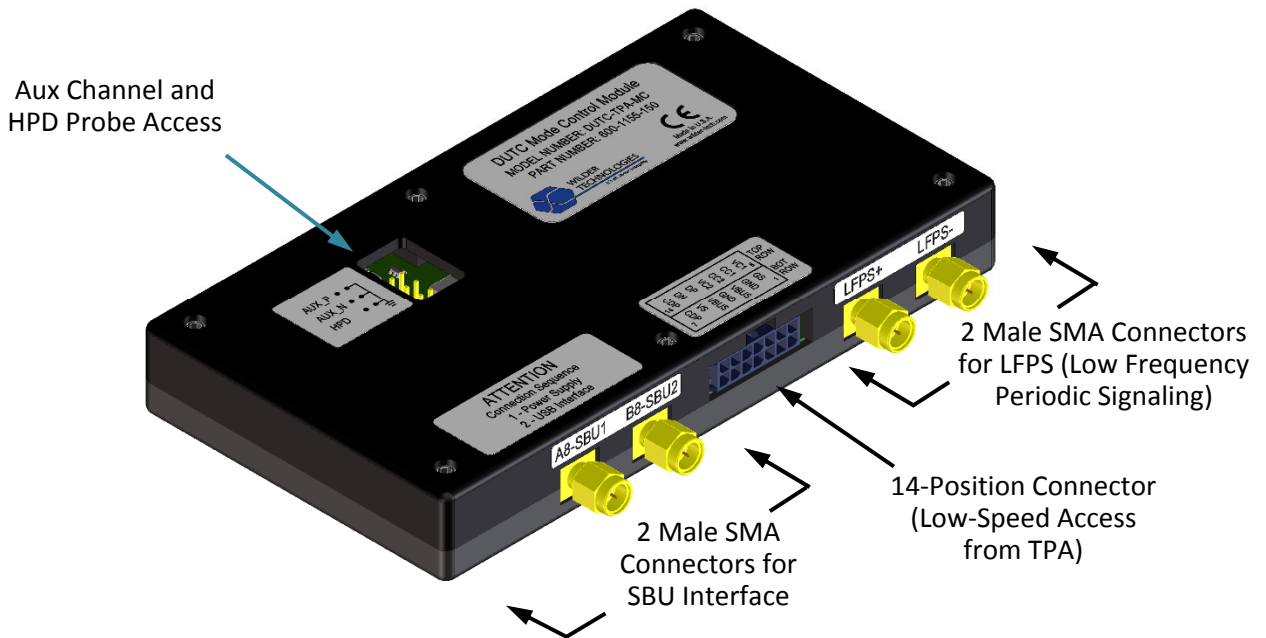


Figure 1. The DUT-TPA-MC Mode Control Module (Front-Top View).

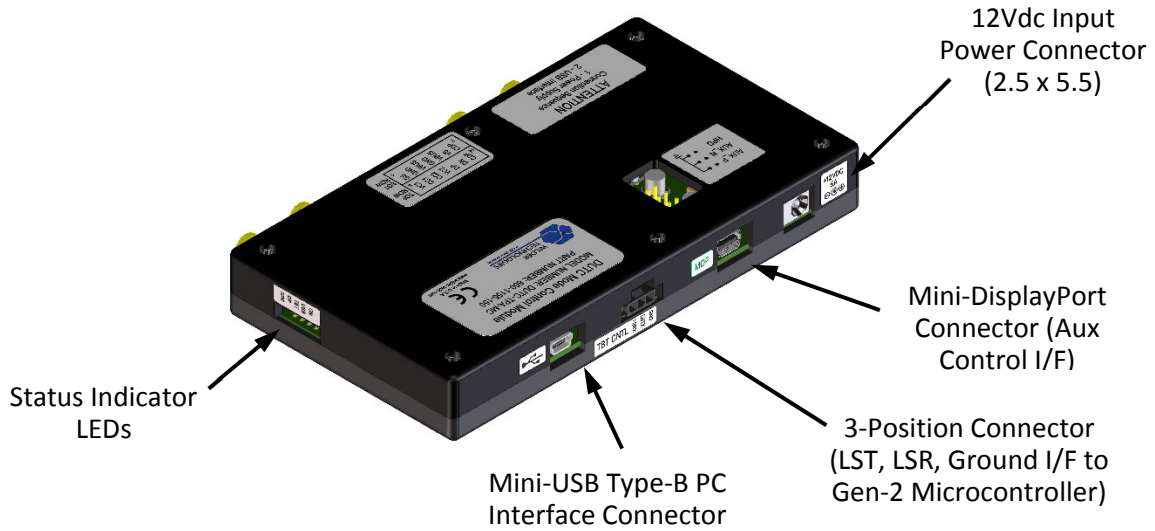


Figure 2. The DUT-TPA-MC Mode Control Module (Back-Top View).

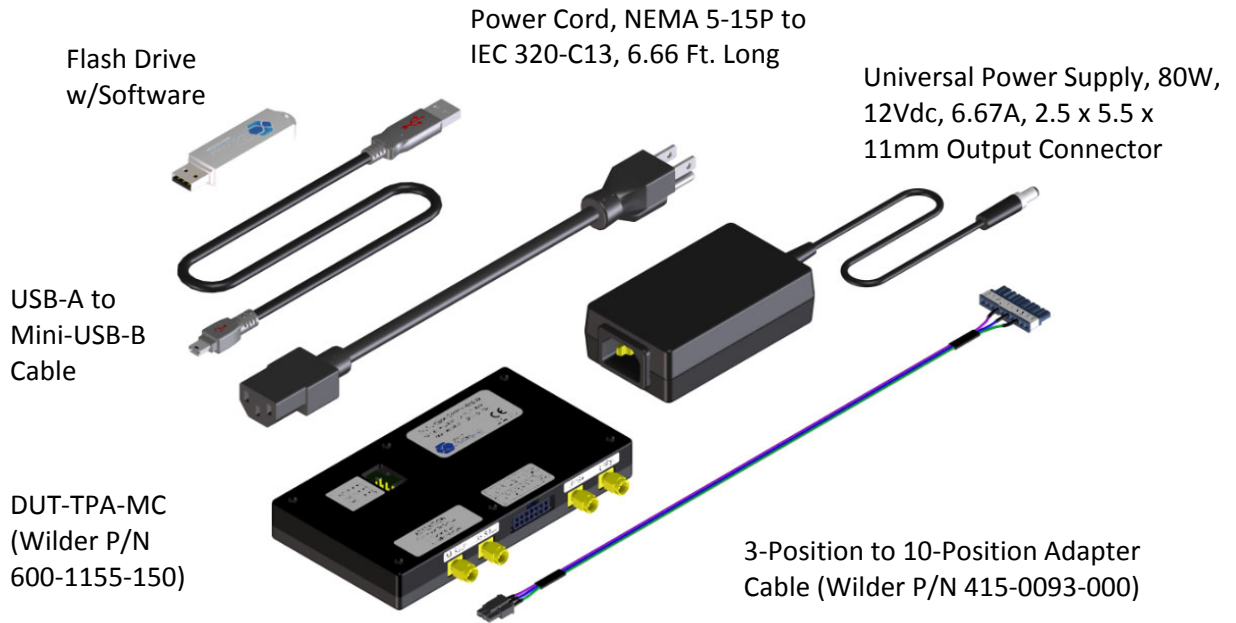


Figure 3. DUT-TPA-MC Included Items

The above figure illustrates the components included with the DUTC-TPA-MC product. Refer to the TYPE-C-TPA Test Adapter and the TBT-TPA-UHG2 Gen-2 Microcontroller Module User Manuals for components included with those products.

Product Inspection

Upon receiving the DUTC-TPA from Wilder Technologies, perform the following product inspection:

- Inspect the outer shipping container, foam-lined instrument case, and product for damage. Retain the outer cardboard shipping container until the contents of the shipment have been inspected for completeness and the product has been checked mechanically and electrically. Use the foam-lined instrument-case for secure storage of the Wilder Technologies DUTC Mode Control Module when not in use.
- Locate the shipping list and verify that all items ordered were received.
- In the unlikely event that the product is defective or incomplete, the “Limited Warranty” section discusses how to contact Wilder Technologies for technical assistance and/or how to package the product for return.

The DUTC Mode Control Module Care and Handling Precautions

The DUTC Mode Control Module, mating Type-C Test Adapters, and the mating Gen-2 Microcontroller all require careful handling to avoid damage. To achieve optimum performance and to prolong the product life, observe the following handling precautions:

- **CAUTION 1: Avoid Torque Forces (Twisting)**
While individual coaxial cables (as used on Type-C TPAs) connected to the DUTC have some rotational freedom, twisting an attached TPA as a unit, with one end held stationary, may damage or severely degrade performance. Adherence to Caution 5 (below) helps to avoid twisting.
- **CAUTION 2: Avoid Sharp Cable Bends (Type-C TPAs)**
Never bend coaxial cables into a radius of 26 mm (1-inch) or less. Never bend cables greater than 90°. Single or multiple cable bends must be kept within this limit. Bending coaxial cables connected to the DUTC-TPA cables less than a 26mm (1-Inch) radius will permanently damage or severely degrade the attached test adapter performance.
- **CAUTION 3: Avoid Cable Tension (Type-C TPAs)**
Never apply tension (pull forces) to an individual coaxial cable that is greater than 2.3 kg (5 lbs.). To avoid applying tension, always place accessories and equipment on a surface that allows adjustment to eliminate tension on Type-C TPAs and cables. Use adjustable elevation stands or apparatus to accurately place and support both the DUTC and the attached Type-C Test Adapter.
- **CAUTION 4: Connect the Type-C TPA to the DUT First**
To prevent twisting, bending, or applying tension to coaxial cables when connecting a Type-C TPA to the DUT, always attach the Type-C TPA to the device under test (DUT) or cable under test before attaching to the DUTC, and/or test instrumentation.

If the Type-C TPA must be turned or twisted to make connection to the DUT, avoid using the Type-C TPA housing alone to make this occur. Try to distribute the torque forces along the length of the test setup and connected cabling. If this is not possible, it is recommended to first loosen or disconnect the connections at the Type-C TPA and/or DUTC. Make the connection to the DUT and then re-attach to the DUTC and/or the test equipment leads.

NOTE: Only grip the test adapter housing when inserting or extracting the Type-C TPA to or from the DUT. Pulling directly on the Type-C TPA cables or using them to insert the Type-C TPA may cause damage.

- **CAUTION 5: Carefully Make SMA Connections (Type-C TPAs to DUTC)**

To connect the Type-C TPA SMA connectors, follow these steps:

1. Hold the cable stationary by grasping the cable at the black heat-shrink section near the SMA connector.
2. Insert the mating SMA barrel and hand-tighten the free-spinning nut onto the connector while avoiding pulling, bending, or twisting the Type-C TPA coaxial cable.
3. The Type-C TPA SMA connectors have flats that accept an open-end 1/4-inch or 6.5mm wrench. When attaching instrument cables to the Type-C TPA, it is recommended that the Type-C SMA connectors be mechanically held and the test leads be tightened to the equipment manufacturer's torque recommendations, normally 8 lb-in., using a 5/16-inch open-end wrench.

If the test set-up requires repositioning, first loosen or disconnect the SMA connections to avoid twisting, bending, or tension.

NOTE: A drop in signal amplitude by half or 6dB during the testing of a channel may indicate that a cable has been mechanically pulled free of the coaxial cable connections within the test adapter assembly. This could be determined by checking if the coaxial cable has any play relative to the TPA. This would only occur when the TPA has exceeded the pull force as specified within the mechanical specification. If the cable cannot be re-seated, the test adapter may need to be returned to the factory for service.

- **CAUTION 6: Independently Support Instrument Cables or Accessories**

Excessive weight from instrument cables and/or accessories connected to the DUTC or Type-C TPA can cause damage or affect the test adapter performance. Be sure to provide appropriate means to support and stabilize all test set-up components.

General DUTC, TPA, Cable, and Connector Care and Handling

Observing simple precautions can ensure accurate and reliable measurements.

Handling and Storage

Before each use of the DUTC, ensure that all connectors are clean. Handle all cables carefully and store the DUTC in the foam-lined instrument case when not in use, if possible. Do not set connectors contact-end down. Install the protective end caps onto the SMA connectors when the DUTC is not in use.

Visual Inspection

Be sure to inspect all cables carefully before making a connection. Inspect all cables for metal particles, scratches, deformed threads, dents, or bent, broken, or misaligned center conductors. Do not use damaged cables.

Cleaning

If necessary, clean the connectors using low-pressure (less than 60 PSI) compressed air or nitrogen with an effective oil-vapor filter and condensation trap. Clean the cable threads, if necessary, using a lint-free swab or cleaning cloth moistened with isopropyl alcohol. Always completely dry a connector before use. Do not use abrasives to clean the connectors. Re-inspect connectors, making sure no particles or residue remains.

Making Connections

Before making any connections, review the “Care and Handling Precautions” section. Follow these guidelines when making connections:

- Align cables (instrument or Type-C TPA) carefully
- Make preliminary connection lightly
- To tighten SMA connectors, turn the connector nut on the DUTC only
- Do not apply bending force to cables (instrument or Type-C TPA)
- Do not over-tighten preliminary connections
- Do not twist or screw-in cables
- Use an appropriately sized torque wrench (depends on SMA connector gender), and do not tighten past the “break” point of the torque wrench (normally set to 8 lb-in.)

Electrostatic Discharge Information

Protection against electrostatic discharge (ESD) is essential while connecting, inspecting, or cleaning the DUTC and/or Type-C test adapters and connectors attached to a static-sensitive circuit (such as those found in test sets).

Electrostatic discharge can damage or destroy electronic components. Be sure to perform all work on electronic assemblies at a static-safe work station, using two types of ESD protection:

- Conductive table-mat and wrist-strap combination
- Conductive floor-mat and heel-strap combination

When used together, both of these types provide a significant level of ESD protection. Used alone, the table-mat and wrist-strap combination provide adequate ESD protection. To ensure user safety, the static-safe accessories must provide at least 1 M Ω of isolation from ground. Acceptable ESD accessories may be purchased from a local supplier.

The DUTC should always be stored within the provided static-dissipative shield bag and sealed when not in use.

WARNING: These techniques for a static-safe work station should not be used when working on circuitry with a voltage potential greater than 500 volts.

Mechanical and Environmental Specifications

NOTE: All specifications in this manual are subject to change.

Table 1. General Specifications

ITEM	DESCRIPTION
Usage Environment	Controlled indoor environment
DUTC Mode Control Module	3.2 x 5.76 x 0.8 Inches (80.5 x 146.3 x 20.3mm)
Operating Temperature	0°C to +55°C (32°F to +131°F) (Characteristic)
Storage Temperature	-40°C to +70°C (-40°F to +158°F) (Characteristic)

DUTC Mode Control Module Pin-out

The DUTC Mode Control Module provides two male SMA connectors for SBU-1 and SBU-2 interface to/from a Type-C TPA. A 14-position connector provides other, low-speed signal interface to/from a Type-C TPA. Aux signals are accessed through a Thunderbolt/Mini-DisplayPort connector. LSTX and LSRX signals (for Gen-2 Microcontroller interface) are accessed through one 3-position low-speed connector. A USB Mini-USB Type-B is provided for the PC User Interface. The LFPS (Low Frequency Periodic Signaling) is accessed through 2 Male SMA connectors. All connectors are identified by labels. The following figure refers to pin-description tables for each of the connector types.

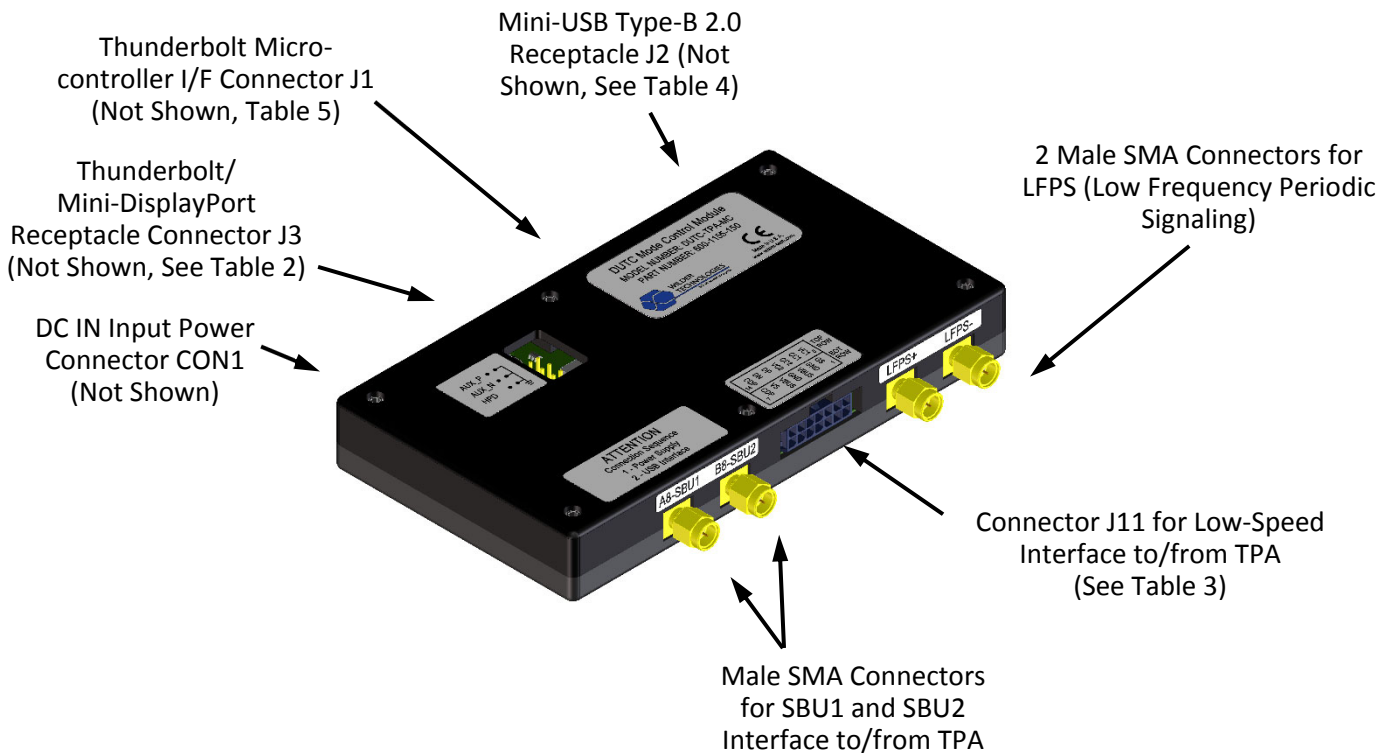


Figure 4. DUTC-TPA-MC Connectors

Table 2. Mini-DisplayPort Receptacle Connector (J3) Pin Assignments (DisplayPort Only)

Pin Description	Connector Pin Number
Ground	1
Hot Plug Detect	2
ML Lane 0 (p) – Source	3
Config1	4
ML Lane 0 (n) – Source	5
Config2	6
Ground	7
Ground	8
ML Lane 1 (p) – Source	9
ML Lane 3 (p) – Source	10
ML Lane 1 (n) – Source	11
ML Lane 3 (n) – Source	12
Ground	13
Ground	14
ML Lane 2 (p) – Source	15
AUX CH (p)	16
ML Lane 2 (n) – Source	17
AUX CH (n)	18
Ground	19
DP_PWR	20

Table 3. Low-Speed Connector (J11) Pin Assignments (Thunderbolt Only)

Pin Description	Connector Pin Number(s)
Ground Sense	1
Ground	2
VBUS	3
Ground	4
VBUS	5
VS	6
CDP	7
VC1	8
CC1	9
CC2	10
VC2	11
DP	12
DN	13
CDP	14

Table 4. Mini-USB Type-B 2.0 Receptacle Connector (J2) Pin Assignments (PC User Interface)

Pin Description	Connector Pin Number(s)
Vbus (5V)	1
D-	2
D+	3
ID (No Connect)	4
Ground	5

Table 5. Thunderbolt Micro-Controller Connector (J1) Pin Assignments

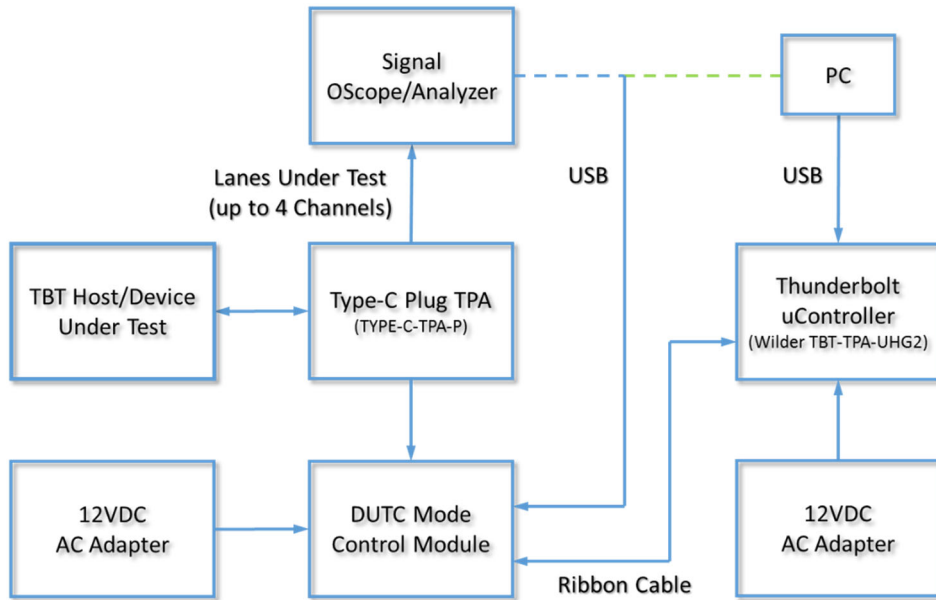
Pin Description	Connector Number
LSRX	1
LSTX	2
Ground	3

User Models

The DUTC, when used in conjunction with a Type-C TPA, is capable of performing within the scope of measurements contained in the associated CTS PHYs, limited only by the specifications, environmental, care and handling as stated in this document.

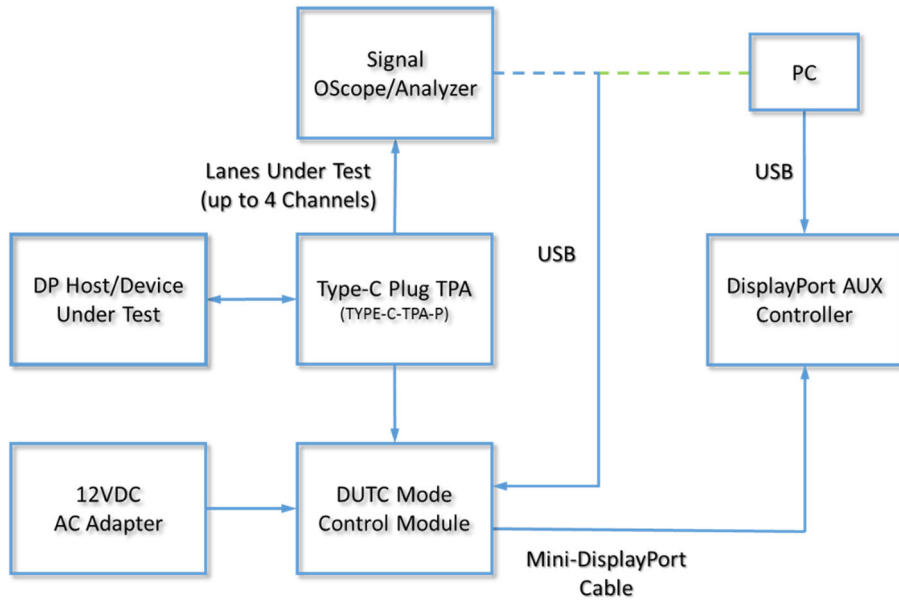
The following examples are suggestions and/or references for possible testing setups.

This first example illustrates a Thunderbolt Type-C Host/Device test using a DUTC and Type-C Plug TPA connected to Thunderbolt Gen 2 Microcontroller..

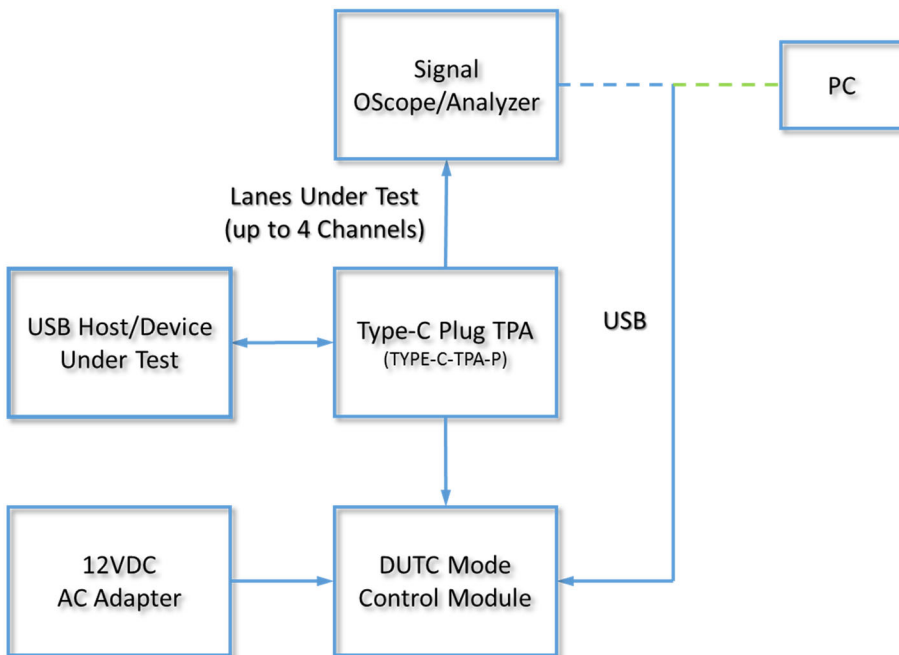


DUTC Mode Control Module User Manual

This second example illustrates a DisplayPort Type-C Host/Device test using a DUTC and Type-C Plug TPA connected to a DisplayPort AUX Controller and a Signal Oscilloscope/Analyzer.



This third example illustrates a USB Type-C Host/Device test using a DUTC and Type-C Plug TPA connected to a Signal Oscilloscope/Analyzer.



DUTC User Interface Software

Introduction

The included User Interface (UI) and Application Program Interface (API) Software (SW) runs on a PC and operates the Wilder Technologies DUTC via a USB connection from a PC. The UI provides Screens that allow interaction with the DUTC Hardware. The SW will run on most PCs with Windows 7, 8, and 10. A powered USB port is required.

The UI makes calls to an API which directly operates the Hardware. The API is provided in a DLL file. Its calls are separately documented in this document.

This Manual is for UI Software Version 1.19, API Version 1.17 and Firmware Version 1.23. The Firmware is Field Upgradable.

DUTC LED Status Indicators

The DUTC LED Status Indicators can be viewed through the rectangular opening on the right side of the board assembly.

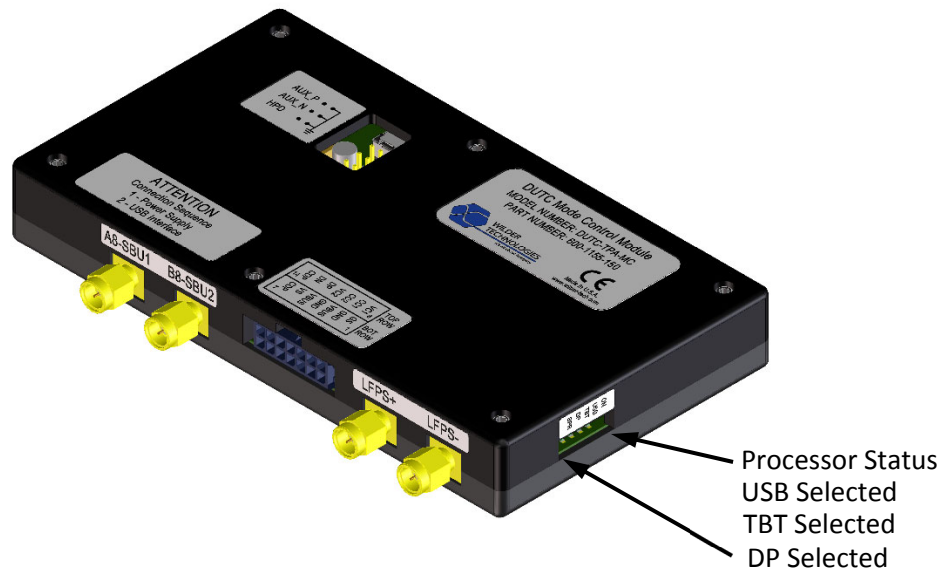


Figure 5. DUTC-TPA-P LED Status Indicators

LED Indicator	Reference Designator	LED States
Processor Status	D8	Blinks when processor is running
USB	D9	On when USB configuration is selected
TBT	D10	On when Thunderbolt configuration is selected
DP	D11	On when DisplayPort configuration is selected
SPR	D12	SPARE

DUTC Supported USB Type-C Functions

The DUTC can be selected to operate in one of three different Modes. The Modes are implemented by the TI Type-C controller configuration ROMs.

Mode (Alt-Mode)	Data Role	Power Role	CC Current Advertised Power	PD Message Advertised Power
USB Native	DFP	Source	5V @ 3A	5V @ 3A
Thunderbolt	DFP	Source	5V @ 3A	5V @ 3A; 12V @ 3A
DisplayPort	UFP	Sink		

The DUTC Type-C controller has two selectable Data Roles:

DUT Type	Result
Device / Sink	Type-C Controller is Enabled and its Data Role is as configured by the Configuration ROM.
Host / Source	Type-C Controller is Turned Off. It does not act as a Host or Device. However certain Hosts can be Lane Flipped (see below).

The DUTC can Lane Flip the Super Speed Lanes in certain configurations:

DUTC Mode (Alt-Mode)	Lane Flip Capability
USB Native	Host or Device can be Lane Flipped
Thunderbolt	Host or Device can be Lane Flipped
DisplayPort	Host only can be Lane Flipped

The DUTC is connected to the Type-C DUT using the Type-C Plug TPA.

One of three Port Lane Flip Configurations may be selected:

Port Configuration	CC State at the Type-C Plug	SS Lane
Disconnected	CC1 and CC2 are disconnected	
Upside-Up (Un-Flipped)	CC1 is connected and CC2 is disconnected	0
Upside-Down (Flipped)	CC2 is connected and CC1 is disconnected	1

The connected CC1 line creates a path for current to be supplied to the DUT which then should Flip or Un-Flip. Note that because the Type-C TPA can be connected to the DUT physically, Flipped or Un-Flipped, the Configurations in the table may also be Flipped.

All selections are made via the API or User Interface Software.

DUTC Software File List

These files are included in the Flash Drive.

Wilder_DUTC.exe	The Wilder DUTC UI Executable
Wilder_Type_C_Cap_A_API.dll	The Wilder DUTC/TBTCAM API Dynamic Link Library
910-0052-000 Rev A.pdf	DUTC Mode Control Module User Manual

Installation

The SW will run on Windows 7, 8, and 10. Microsoft .NET Version 4.5 or greater is required. Some Windows 7 computers do not have this version. It may be downloaded from the Microsoft web site. If .NET is earlier than 4.5 there may be a message reporting that .NET is too old or an Error Message that includes the text "IAsyncState".

Copy the software distribution files to a folder on the PC from which the DUTC UI Software and API DLL will be run. The .exe and .dll files should remain in this folder, but all other files can be moved.

Run the `Wilder_DUTC.exe` program. The start screen should report that its version is **1.19** or later. The Log Box should report that the API version is **1.17** or later.

DUTC UI PC Program Operation

The UI Screen comes up when `Wilder_DUTC.exe` is run. Version information and several buttons will appear. Information, Status and Errors will appear in the Log Box. Errors are listed under each UI function description. Status and Errors are more thoroughly described in the API section.

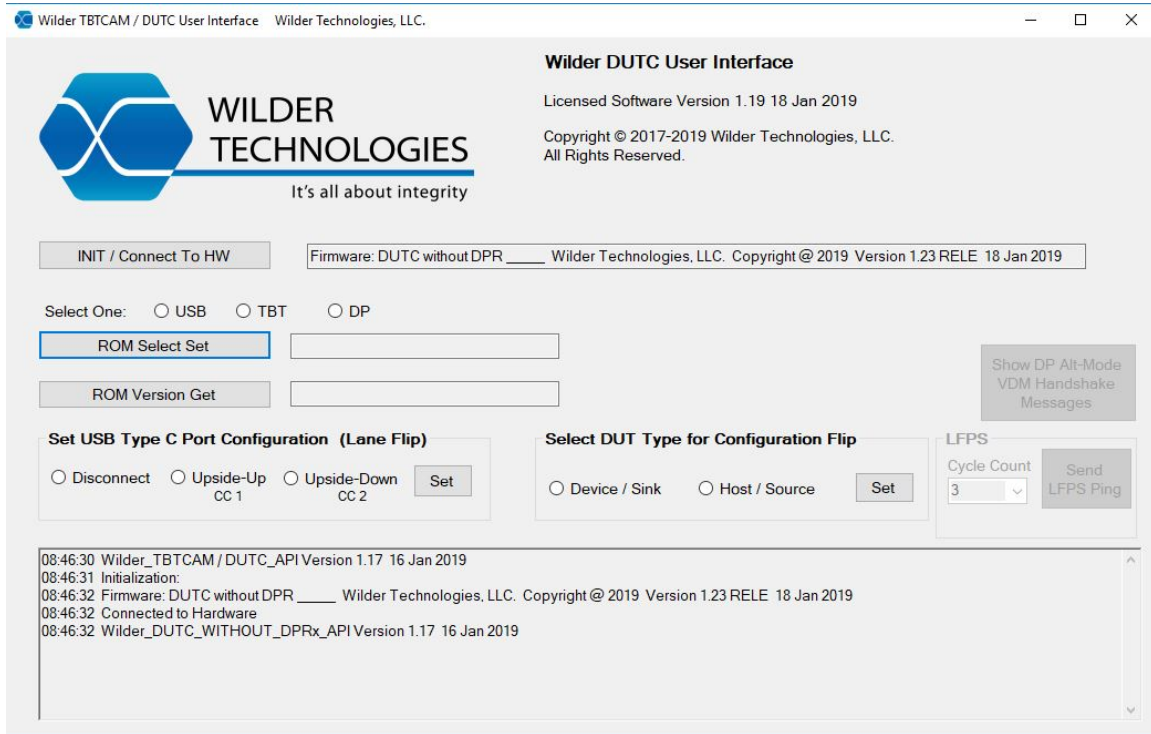


Figure 6. DUTC UI Screen

DUTC UI / API Connection to DUTC Hardware

To operate both the UI and Hardware (HW) together, the UI SW (via the API) must connect to the DUTC Hardware.

- Connect the HW to the 12 Volt power supply. This must be done first.
- Connect the HW to a PC Powered USB Port.
- Select the [INIT / Connect to HW] Button on the UI Screen. (The API `Init()` is called.)
- If successful, the Text Box to the right of the Connect Button updates to indicate connection to the HW and reports the Firmware Version. Verify that the version text is similar to:
"Firmware: DUTC without DPR ____ Wilder Technologies, LLC.
Copyright © 2019 Version 1.23 RELE 18 Jan 2019"

The USB Configuration ROM is select by default when the DUTC HW is powered up.

These errors may be reported:

HANDLE_NOT_OBTAINED	The DUTC HW is not connected to the PC
NO_HID_DEVICES_FOUND	The USB HID driver is not installed on the PC

If the UI Software session is exited the DUTC Hardware will retain its state.

DUTC TI Type-C Configuration ROM Select

The UI ROM is selected by Default when the DUTC HW is powered up.

To change the ROM (and therefore the Type-C Controller configuration):

Select one of the Radio Buttons [USB], [TBT], or [DP]

Select the [ROM Select Set] Button.

The selected ROM will be connected to the Type-C Controller and the Controller will be rebooted. This may take up to 500ms.

The API `ROM_Select_Set ()` is called.

These errors may be reported:

INIT_FAILURE	Initialization/Connection not performed or failed
POWER_MISSING	The 12 Volt Power is not connected
I2C_FAILURE	12 Volt Power and USB may not have been connected in correct sequence
ROM_INVALID	The Configuration ROM is missing or has a Bad Checksum

Select the [ROM Version Get] Button to obtain the version of the Configuration ROM.

Set USB Type-C Port Configuration (Lane Flip)

To change the Type-C Port Configuration (and Lane Flip) select one of the Radio Buttons [Disconnect], [Upside-Up], or [Upside-Down]

Select the [Set] Button.

The state of the CC lines is changed.

The API `USB_Port_Config_Set ()` is called.

These errors may be reported:

INIT_FAILURE	Initialization/Connection not performed or failed
POWER_MISSING	The 12 Volt Power is not connected
I2C_FAILURE	12 Volt Power and USB may not have been connected in correct sequence

Select DUT Type for Configuration Flip

To choose the DUT Type for Configuration Flip, select one of the Radio Buttons [Device / Sink], or [Host / Source].

Select the [Set] Button.

The Type-C Controller is Enabled with the selected Configuration ROM or Disabled.

The API `USB_Data_Role_Set ()` is called.

These errors may be reported:

INIT_FAILURE	Initialization/Connection not performed or failed
POWER_MISSING	The 12 Volt Power is not connected
I2C_FAILURE	12 Volt Power and USB may not have been connected in correct sequence

DisplayPort Handshake Messages

To see the content of a few DisplayPort Alt-Mode VDM handshake messages select the [Show DP Alt-Mode VDM Handshake Messages] Button.

The following is displayed on the Log Box:

DP Alt Mode VDM Handshake Message Content:

DP Status Tx: No Connection
DP Status Rx: No Connection
DP Status Tx: 0x0000 (Outgoing DP Status Message)
DP Status Rx: 0x0000 (Most Recent DP Status Message Received)
DP Configure: 0x0000 (DP Configure Message)
DP Discover: 0x0000 (DP Discovered Capabilities)

The content is only valid after a DP Alt-Mode handshake has started and it may change as the handshake is completed or failed.

The content is decoded in “VESA DisplayPort Alt Mode on USB Type-C Standard” Version 1.0b.

`u_DP_Status_Tx`: Current Outgoing DP Status message contents (Table 5-3)

`u_DP_Status_Rx`: Most recently received DP Status message contents (Table 5-3)

`u_DP_Configure`: DP Configure message when sent (DFP_U) or received (UFP_U) (Table 5-5)

`u_DP_Discover`: DP Discover Mode response when received (DFP_U) or sent (UFP_U) (Table 5-2)

The API `DP_Selected_Messages_Request ()` is called.

DUTC Application Program Interface (API)

The API (for Version 1.09 Release) is in a single Object coded in C# using .NET. It is provided as a Windows DLL file. The functions in the API communicate with the DUTC Firmware and Hardware via USB. The USB functionality and High Level Driver are inside the DLL. Windows will install a basic Human Interface Device (HUD) Driver.

File Name	Wilder_Type_C_Cap_A_API.dll
namespace	Wilder_Type_C_Cap_A_API
class	Wilder_Type_C_Cap_A_API
Windows Version	7, 8, 10
.NET Version	4.5 or later

To access the object and its public members, add a reference to the DLL and put this in the source code:

```
using WTAA = Wilder_Type_C_Cap_A_API.Wilder_Type_C_Cap_A_API;
```

Then create an object instance:

```
WTAA t_WTAA = new WTAA();
```

The Functions prefixed with `async` must be called with `await`. For example:

```
WTAA.WTA_Result t_WTA_Result = await t_WTAA.Init();
```

Most Functions return `WTAA.WTA_Result`. These are enumerated on the following page.

DUTC API Result Code Enumeration

```
public enum WTA_Result
```

Good	0	The API call has completed successfully.
INIT_FAILURE	1	The API function was called before <code>Init()</code> was called or <code>Init()</code> was not able to connect to the Hardware.
SETTING_INVALID	2	Setting or Other API parameter have invalid values or not recognized.
HW_CONNECTION_FAILURE	3	<code>Init()</code> was unable to connect the PC USB to the DUTC HW. The most common cause is a disconnected USB cable.
RETURN_PACKET_FAILURE	4	The API function contacted the DUTC HW but did not get a return. May be caused by USB cable disconnected after a successful <code>Init()</code> .
ROM_SELECT_FAILURE	5	The ROM Selection Multiplexors are not operating correctly. This is a HW Fault.
POWER_MISSING	6	The DUTC has no Power. It is powered via CON1 / DC IN. (The processor is powered from USB).
I2C_FAILURE	7	I2C communication within the DUTC is not operating. May be caused by improper connection sequence of 12 Volt Power and USB. Otherwise it is a HW Fault.
ROM_INVALID	8	The ROM attached to the TI Controller was determined by the TI USB PD Controller to be missing, inaccessible or has Invalid content. Recovery requires a Valid ROM to be selected followed by Power Cycle on the DUTC Board.

DUTC API Function Calls

```
public async Task<WTA_Result> Init();
```

Initializes the API and Connects the PC to the DUTC HW. The Connection (and operation) is via USB from the PC to the micro-controller on the DUTC. This *must* be called before any other function is called. The Firmware and API Version text strings can be acquired. See below.

```
public void Disconnect();
```

Disconnects The USB. Ends the API session.

```
public string Firmware_Version_Get();
```

Returns the Version string of the Firmware on the DUTC Firmware.

```
public string API_Version_Get();
```

Returns the Version string of the API/DLL itself.

```
public async Task<WTA_Result> TI_Version_Request()
```

```
public string TI_Version_Get();
```

Request and then Get the TI USB PD Controller Binary Coded Decimal version number, bootloader/application code version. Represented as VVVV.MM.RR with leading 0's removed. See Texas Instruments SLVUAN1 (July 2016) page 7, Register 0x0F.

ROM Select API Function Calls

```
public enum WTA_ROM_Select_Setting
```

Unknown	0	Used only by ROM_Select_Get()
USB	1	Select the USB Configuration ROM
TBT	2	Select the Thunderbolt Configuration ROM
DP	3	Select the DisplayPort Configuration ROM

```
public async Task<WTA_Result>
    ROM_Select_Set(WTA_ROM_Select_Setting t_WTA_Setting);
```

Selects a Configuration ROM
 The DUTC Power is Checked.
 The specified Configuration ROM is connected to the TI controller.
 The TI controller is Reset. This may take 500 milliseconds.
 After a ROM is selected the CC1 is connected and the CC2 is disconnected so that an Upside-Up Type-C connection can be made. (See the Lane Flip explanation below.)

```
public async Task<WTA_ROM_Select_Setting> ROM_Select_Get();
```

Returns the Current Configuration Setting. The DUTC HW is queried for this information.

USB Type-C Device and Host Lane Flip Operation in USB Mode (USB ROM).

USB Type-C Port Role API Function Calls.

```
public enum WTA_USB_Data_Role_Setting
```

As_Configured	1	Set DUTC to use the TI Controller as Configured by the Configuration ROM. If the TI is configured as a Host and the DUT is a Device OR if the TI is configured as a Device and the DUT is a Host, then the Lanes can be Flipped. (This the default operation of the DUTC for the selected ROM.)
DISABLED	3	Set DUTC to Disable the TI. This is used when the TI Controller ROM configures as a Host. A Host DUT may then be Connected and Lane Flipped.

```
public async Task<WTA_Result> USB_Data_Role_Set
(WTA_USB_Data_Role_Setting e_Data_Role_Setting)
```

Set the TI Controller Data Role so that USB_Port_Config_Set can be used to Lane Flip a Device or a Host.

USB Type-C Port Connection Configuration API Function Calls.

```
Public enum WTA_USB_Config_Setting
```

Unknown	0	used only by USB_Port_Config_Sense()
DISCONNECT	1	Set Port Disconnected (CC1 and CC2 open)
UPSIDE_UP	2	Set Port Connected Upside-up (CC1 pulled to Gnd via 5.1K; CC2 open)
UPSIDE_DOWN	3	Set Port Connected Upside-down (CC2 pulled to Gnd via 5.1K; CC1 open)

```
public async Task<WTA_Result>
    USB_Port_Config_Set(WTA_USB_Config_Setting e_Config_Setting);
```

Set the USB Type-C Port Connection Configuration

USB_Data_Role_Set() must be called before this function is called.

DisplayPort Alt-Mode VDM Handshake Messages

```
public async Task<WTA_Result> DP_Handshake_Messages_Request ( )  
  
public string DP_Selected_Messages_Get(  
    out UInt32 u_DP_Status_Tx_Out, out UInt32 u_DP_Status_Rx_Out,  
    out UInt32 u_DP_Configure_Out, out UInt32 u_DP_Discover );
```

Request and then Get the Content of some VDM Handshake Messages exchanged during a DisplayPort Alt-Mode handshake. The content is only valid after a DP Alt-Mode handshake has started and it may change as the handshake is completed or failed.

The content is decoded in “VESA DisplayPort Alt Mode on USB Type-C Standard” Version 1.0b.

u_DP_Status_Tx: Current Outgoing DP Status message contents (Table 5-3)

u_DP_Status_Rx: Most recently received DP Status message contents (Table 5-3)

u_DP_Configure: DP Configure message when sent (DFP_U) or received (UFP_U) (Table 5-5)

u_DP_Discover: DP Discover Mode response when received (DFP_U) or sent (UFP_U) (Table 5-2)

Alternate Mode Validation API Function Calls

```
public async Task<Tuple<WTA_Result, bool>> DP_Alternate_Mode_Validation();
```

Returns a Tuple with 2 elements:

- Item1 is WTA_Result
- Item2 is a Boolean which returns true if the DUT has successfully entered DisplayPort alternate mode or false if the DUT is not in DisplayPort alternate mode.

```
public async Task<Tuple<WTA_Result, bool>> TBT_Alternate_Mode_Validation();
```

Returns a Tuple with 2 elements:

- Item1 is WTA_Result
- Item2 is a Boolean which returns true if the DUT has successfully entered Thunderbolt™ alternate mode or false if the DUT is not in Thunderbolt™ alternate mode.

LFPS Ping

```
public async Task<WTA_Result>  
    LFPS_Ping_Send(byte u_Cycle_Count);
```

Used to send and LFPS ping from the DUTC. The number of cycles in this burst is given by u_Cycle_Count and can be between 0 and 63.

Wilder Technologies, LLC – Limited Warranty

Wilder Technologies, LLC warrants that each Test Adapter, 1) is free from defects in materials and workmanship and, 2) conforms to Wilder Technologies specifications for a period of 12 months, with the exceptions of the Intel-Based TBTCI and TBTCAM Test Adapters, whereby are warranted for a period of 6 months, all other aspects of the Wilder Technologies, LLC warranty apply.

See Consumable and Fragile Material Warranty for exceptions to the 12-month warranty

The warranty period for a Test Adapter is a specified, fixed period commencing on the date of ship from Wilder Technologies, LLC. If you did not purchase your Test Adapter directly from Wilder Technologies, LLC, the serial number and a valid proof of purchase will be required to establish your purchase date. If you do not have a valid proof of purchase, the warranty period will be measured from the date of ship from Wilder Technologies, LLC.

If, during the warranty period, the Test Adapter is not in good working order, Wilder Technologies, LLC will, at its option, repair or replace it at no additional charge, except as is set forth below. In some cases, the replacement Test Adapter may not be new and may have been previously installed. Regardless of the Test Adapter's production status, Wilder Technologies, LLC appropriate warranty terms apply.

Consumable and Fragile Material Warranty

Wilder Technologies, LLC warrants that consumable materials and all fragile materials supplied by Wilder Technologies, LLC either as part of an instrument or system, or supplied separately, will be free from defects in material and workmanship at the time of shipment.

Extent of Warranty

The warranty does not cover the repair or exchange of a Test Adapter resulting from misuse, accident, modification, unsuitable physical or operating environment, improper maintenance by you, or failure caused by a product for which Wilder Technologies, LLC is not responsible. The warranty is voided by removal or alteration of Test Adapter or parts identification labels. The initial three months are unconditional; the remaining months excludes plugs, receptacles and SMA connectors. Connectors are wear items and excluded from the warranty after the initial three months.

These warranties are your exclusive warranties and replace all other warranties or conditions, express or implied, including but not limited to, the implied warranties or conditions or merchantability and fitness for a particular purpose. These warranties give you specific legal rights and you may also have other rights which vary from jurisdiction to jurisdiction. Some jurisdictions do not allow the exclusion or limitation of express or implied warranties, so the above exclusion or limitation may not apply to you. In that event, such warranties are limited in duration to the warranty period. No warranties apply after that period.

Items Not Covered by Warranty

Wilder Technologies, LLC does not warrant uninterrupted or error-free operation of a Test Adapter.

Any technical or other support provided for a Test Adapter under warranty, such as assistance via telephone with "how-to" questions and those regarding Test Adapter set-up and installation, will be provided **WITHOUT WARRANTIES OF ANY KIND**.

Warranty Service

Warranty service may be obtained from Wilder Technologies, LLC by returning a Wilder Technologies, LLC Returns Material Authorization and the Test Adapter to Wilder Technologies, LLC during the warranty period. To obtain RMA number, contact support@wilder-tech.com.

You may be required to present proof of purchase or other similar proof of warranty entitlement. You are responsible for any associated transportation charges, duties and insurance between you and Wilder Technologies, LLC. In all instances, you must ship Test Adapters in Wilder Technologies, LLC approved packaging. Information on packaging guidelines can be found at: www.wilder-tech.com. Wilder Technologies, LLC will ship repaired or replacement Test Adapter Delivery Duty Prepaid (DDP) and will pay for return shipment. You will receive title to the repaired or replacement Test Adapter and you will be the importer of record.

Wilder Technologies, LLC – Terms & Conditions of Sale

- 1. Other Documents:** This Agreement may NOT be altered, supplemented, or amended by the use of any other document(s) unless otherwise agreed to in a written agreement signed by both you and Wilder Technologies, LLC. If you do not receive an invoice or acknowledgement in the mail, via e-mail, or with your Product, information about your purchase may be obtained at support@wilder-tech.com or by contacting your sales representative.
- 2. Payment Terms, Orders, Quotes, Interest:** Terms of payment are within Wilder Technologies, LLC's sole discretion, and unless otherwise agreed to by Wilder Technologies, LLC, payment must be received by Wilder Technologies, LLC prior to Wilder Technologies, LLC's acceptance of an order. Payment for the products will be made by credit card, wire transfer, or some other prearranged payment method unless credit terms have been agreed to by Wilder Technologies, LLC. Invoices are due and payable within the time period noted on your invoice, measured from the date of the invoice. Wilder Technologies, LLC may invoice parts of an order separately. Your order is subject to cancellation by Wilder Technologies, LLC, in Wilder Technologies, LLC's sole discretion. Unless you and Wilder Technologies, LLC have agreed to a different discount, Wilder Technologies, LLC's standard pricing policy for Wilder Technologies, LLC-branded systems, which includes hardware, software and services in one discounted price, allocates the discount off list price applicable to the service portion of the system to be equal to the overall calculated percentage discount off list price on the entire system. Wilder Technologies, LLC is not responsible for pricing, typographical, or other errors in any offer by Wilder Technologies, LLC and reserves the right to cancel any orders resulting from such errors.
- 3. Shipping Charges; Taxes; Title; Risk of Loss:** Shipping, handling, duties and tariffs are additional unless otherwise expressly indicated at the time of sale. Title to products passes from Wilder Technologies, LLC to Customer on shipment from Wilder Technologies, LLC's facility. Loss or damage that occurs during shipping by a carrier selected by Wilder Technologies, LLC is Wilder Technologies, LLC's responsibility. Loss or damage that occurs during shipping by a carrier selected by you is your responsibility. You must notify Wilder Technologies, LLC within 7 days of the date of your invoice or acknowledgement if you believe any part of your purchase is missing, wrong or damaged. Unless you provide Wilder Technologies, LLC with a valid and correct tax exemption certificate applicable to your purchase of Product and the Product ship-to location, you are responsible for sales and other taxes associated with the order. **Shipping dates are estimates only.**
- 4. WARRANTY:** WILDER TECHNOLOGIES, LLC, warrants that the item(s) manufactured under the Buyer's contract shall be free from defects in materials and workmanship furnished by WILDER TECHNOLOGIES, LLC, and shall conform to the applicable drawings and specifications. WILDER TECHNOLOGIES, LLC'S liability herein, for breach of warranty, contract or negligence in manufacturing, shall be limited to repair or replacement. Repair or replacement of defective items will be applicable only if the Buyer notifies WILDER TECHNOLOGIES, LLC, by written notice within 30-days of delivery. All claims shall be addressed to: support@wilder-tech.com or WILDER TECHNOLOGIES, LLC, 6101A East 18th Street, Vancouver, Washington 98661 U.S.A.; ATTENTION: Customer Service Manager. WILDER TECHNOLOGIES, LLC, reserves the right to inspect at the Buyer's plant all items claimed to be defective or nonconforming prior to authorizing their return. WILDER TECHNOLOGIES, LLC, assumes no liability for the results of the use of its components in conjunction with other electric, electronic or mechanical components, circuits and/or systems. The foregoing constitutes the sole and exclusive remedy of the Buyer and the exclusive liability of WILDER TECHNOLOGIES, LLC, and is IN LIEU OF ANY AND ALL OTHER WARRANTIES, STATUTORY, IMPLIED OR EXPRESSED AS TO MERCHANTABILITY, FITNESS FOR THE PURPOSE SOLD, DESCRIPTION, QUALITY, and PRODUCTIVENESS OR ANY OTHER MATTER. Without limiting the foregoing, in no event shall WILDER TECHNOLOGIES, LLC, be liable for loss of use, profit or other collateral, or for special and/or consequential damages.
- 5. RETURNED GOODS:** WILDER TECHNOLOGIES, LLC, will accept only those goods for return that have been authorized for return. All goods authorized for return shall be assigned a Returned Material Authorization (RMA) Number. The RMA Number shall be clearly marked on the shipping container(s) and all documentation accompanying the goods authorized for return. The RMA Number shall be assigned by WILDER TECHNOLOGIES, LLC pursuant to the conditions set forth in Paragraph 4, WARRANTY.
- 6. UNITED STATES GOVERNMENT CONTRACTS:** In the event this offer is accepted under Government contract, WILDER TECHNOLOGIES, LLC, agrees to accept clauses required by Government regulations and to waive WILDER TECHNOLOGIES, LLC conditions inconsistent therewith. WILDER TECHNOLOGIES, LLC, certifies that it is a regular manufacturer or dealer of the goods and/or services offered herein and that the prices offered do not exceed those charged to any customer for like quantities, services or materials under the same conditions.

Compliance with Environmental Legislation

Wilder Technologies, LLC, is dedicated to complying with the requirements of all applicable environmental legislation and regulations, including appropriate recycling and/or disposal of our products.



WEEE Compliance Statement

The European Union adopted Directive 2002/96/EC on Waste Electrical and Electronic Equipment (WEEE), with requirements that went into effect August 13, 2005. WEEE is intended to reduce the disposal of waste from electrical and electronic equipment by establishing guidelines for prevention, reuse, recycling and recovery.

Wilder Technologies has practices and processes in place to conform to the requirements in this important Directive.

In support of our environmental goals, effective January 1st, 2009 Wilder Technologies, LLC has partnered with EG Metals Inc. – Metal and Electronics Recycling of Hillsboro, Oregon, www.egmetalrecycling.com, to recycle our obsolete and electronic waste in accordance with the European Union Directive 2002/96/EC on waste electrical and electronic equipment ("WEEE Directive").

As a service to our customers, Wilder Technologies is also available for managing the proper recycling and/or disposal of all Wilder Technologies products that have reached the end of their useful life. For further information and return instructions, contact support@wilder-tech.com.



Compliance to RoHS 2 Substance Restrictions

Wilder Technologies, LLC certifies that the parts described in this document are compliant to the substance restrictions of Directive 2011/65/EU of the European Parliament, and of the Council of 8 June, 2011 on the restriction of the use of certain hazardous substances in electrical and electronic equipment (RoHS 2 Directive), prohibiting the use in homogeneous materials in excess of the listed maximum concentration value, except in cases where use is allowed by applicable exemptions listed in Annex III and Annex IV of the Directive.

Compliance with RoHS 2 has been verified through internal controls at design and production sites, including establishment of processes for specifying and controlling materials and segregation of non-compliant parts, receipt of supplier declarations of compliance and/or analytical test.

Glossary of Terms

TERMINOLOGY	DEFINITION
Alt Mode (Alternate Mode)	Operation defined by a vendor or standards organization that is associated with a SVID assigned by the USB-IF. Entry and exit into and from an Alternate Mode is controlled by <i>USB PD r2.0 v1.1</i> Structured VDM Enter Mode and Exit Mode commands.
API	Application Program Interface
Captive Cable (Tethered)	Cable that is terminated on one end with a USB Type-C plug and has a vendor-specific means with which to connect (hard-wired or custom detachable) on the opposite end.
CC	Configuration Channel
DFP	Downward Facing Port
DLL	Dynamic Link Library (an API is usually inside)
DP	DisplayPort
DUT	Device Under Test
Far-End Crosstalk or FEXT	Crosstalk that is propagated in a disturbed channel in the same direction as the propagation of a signal in the aggressor channel. The terminals of the aggressor channel and the victim channel are usually close to each other.
Informative	The designation of a test that is not required for compliance but is considered important from a characterization standpoint. It is provided for informational purposes only.
Initiator	Port that initiates a <i>USB PD r2.0 v1.1</i> Vendor-Defined Message. It is independent of the port's PD role (e.g., Provider, Consumer, Provider/Consumer, or Consumer/Provider).
Insertion loss	The ratio, expressed in dB, of incident power to delivered power.
MOI	Method of implementation.
Near-End Crosstalk or NEXT	Crosstalk that is propagated in a disturbed channel in the opposite direction as the propagation of a signal in the aggressor channel. The terminals of the aggressor channel and the victim channel are usually close to each other.
Normative	The designation of a test that is required for compliance.
Passive Cable	Cable that does not incorporate any electronics to condition the data path signals. May or may not be electronically marked.
Physical Link	Two differential signal pairs, one pair in each direction, that connect two physical phys.
Responder	Port that responds to the Initiator of a <i>USB PD r2.0 v1.1</i> Vendor-Defined Message. Independent of the port's PD role (e.g., Provider, Consumer, Provider/Consumer, or Consumer/Provider).
Return Loss	The ratio, expressed in dB, of incident power to reflected power.
SBU	Sideband Use.
TBT	Thunderbolt
UPF	Upward Facing Port
USB Type-C	Generic reference to a USB Type-C Plug, USB Type-C Port, USB Type-C Receptacle, or USB Type-C Cable Assembly, as specified in <i>USB Type-C r1.1</i> .
VCONN-Powered	VCONN is a 5V, 1W power supply used to power the IC within an electronically marked Type-C cable. The DFP will supply the VCONN power upon start-up
VDM	Vendor Defined Messages (subset of PD messages on the CC lines)

Index

- 10-Position Low-Speed Connector, 10
- API Function Calls, 23, 24, 25, 26
- Cable Bend Limits, 6
- Cable Tension (Pull Forces), 6
- Cable Twisting (Torque), 6
- Cleaning, 8
- Compliance
 - RoHS, 30
 - WEEE, 30
- Connections
 - 2.92mm, 7
 - SMP, 7
 - Type-C TPA to DUT, 6
- Data Roles, 16
- DisplayPort Alt-Mode VDM Handshake Messages, 26
- DisplayPort Handshake Messages, 20
- DisplayPort Type-C Compliance Specifications, 3
- DisplayPort Type-C Standard, 3
- DUTC API Result Code Enumeration, 22
- DUTC Application Program Interface (API), 21
- DUTC Mode Control Module Pinout, 10
- DUTC Software File List, 17
- DUTC Supported USB Type-C Functions, 16
- DUTC TI Type-C Configuration ROM Select, 19
- DUTC UI / API Connection, 18
- DUTC UI PC Program Operation, 18
- DUTC User Interface Software, 15
- DUTC-TPA-MC Included Items, 4
- Electrostatic Discharge Information (ESD), 9
- ESD protection, 9
- Figures
 - DUTC UI Screen, 18
 - DUTC-TPA-MC Connectors, 10
 - DUTC-TPA-P LED Status Indicators, 15
 - The DUTC-TPA-MC Mode Control Module, 3, 4
- Flash Drive, 17
- Glossary, 31
- Handling and Storage, 8
- Lane Flip Operation, 16, 19, 25
- Making Connections, 8
- Mechanical and Environmental Specifications, 10
- Modes, 16
- Product Inspection, 5
- Product Return, 5
- Pull Force, 6, 7
- Secure Storage, 5
- Set USB Type-C Data Role, 20
- Software Installation, 17
- Support, 29, 30
- Supporting Instrument Cables or Accessories, 7
- Tables
 - General Specifications, 10
 - High-Speed Connectors, 12
 - Low-Speed Connector Pin Assignments, 11
 - Mini-DisplayPort Receptacle Pin Assignments, 11
 - Mini-USB Connector Pin Assignments, 12
- Terms and Conditions of Sale, 29
- Thunderbolt Type-C Compliance Specifications, 3
- Thunderbolt Type-C Standard, 3
- USB Type-C Compliance Specifications, 3
- USB Type-C Standard, 3
- User Models
 - DisplayPort Host/Device Testing, 14
 - Thunderbolt Host/Device Testing, 13
 - USB Host/Device Testing, 14
- Visual Inspection, 8
- Warranty, 28
- Web Sites
 - support@wilder-tech.com, 28, 29, 30
 - www.egmetalrecycling.com, 30
 - www.wilder-tech.com, 28

Visit our website at www.wilder-tech.com



Wilder Technologies, LLC
6101A East 18th Street
Vancouver, WA 98661
Phone: 360-859-3041
Fax: 360-859-3105
www.wilder-tech.com

©2019 Wilder Technologies, LLC
Document No. 910-0052-000 Rev. A
Created: 3/18/2019